



Red Rooster

The Red Rooster range of hoists are widely used both **on- and off-shore**, throughout the world; typically in marine, shipbuilding, chemical and petrochemical, food, paint and papermaking industries, wherever reliability of performance and safety in use are paramount.

Red Rooster air chain hoists are compact in design and low in headroom. The hoists have infinitely variable speed, and are rated for continuous use. Another advantage of the air hoists is the soft start and stop. Air hoists do not impose shock loading during acceleration and deceleration. The Red Rooster air hoists are of compact construction with cast iron bodies for durability and safety.

Note!

The hoists may be of hook suspension or supplied with the options of manual or pneumatically driven trolleys. Load chain conforms to DIN 5684-8. All models are supplied with cord (C), which affords the user simple but precise control of the hoist. Additional options are pilot pendant (P) or light weight pendant (for applications in zone 1 areas). **Hoists from 0.5 tons and bigger are supplied with built-in load limiter.** All hoists are supplied with internal disc brake.

Design F.O.S. 5, proof load 1.5 x SWL, internal silencers, explosion proof motor, automatic upper and lower limit switches. **Spark resistant air chain hoists are available on request.**

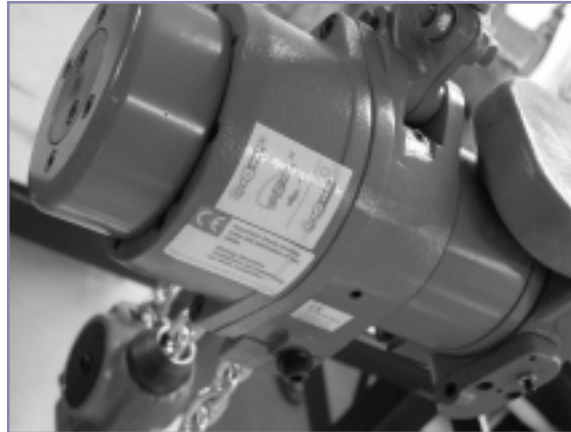
Air trolleys

The air trolleys have a good price/quality ratio. The wheels are made of steel or bronze (on request). Constructed with sealed wheel bearings. Adjustable to cover a range of beam flange widths. A worm gear box prevents run on.

RED ROOSTER AIR CHAIN HOISTS ARE MANUFACTURED BY TOKU.

Air Chain hoists

0,125 up to 100 tons



Type	Brand	Capacity tons	Lifting speed full load m/min	Lifting speed without load m/min	Number of chain falls	Air consumption full load l/sec	Inlet thread	Hose diameter mm	Weight kg incl. 3 m lift
TCR-125 C/DP	RRI	0.125	14.0	19.0	1	11.7	3/8"	13	7
TMM-140A	RRI	0.14	11.0	15.0	1 (cable)	8	3/8"	13	9
TCR-250M	RRI	0.25	9.3	19.0	1	11.7	3/8"	13	11
TCR-250 C/DP	RRI	0.25	9.3	19.0	1	11.7	3/8"	13	7
TCR-600250 C/P	RRI	0.25	14.0	19.0	1	21.6	1/2"	13	30
TCR-500/2 C/DP	RRI	0.5	4.5	9.5	2	11.7	1/2"	13	31
TCR-500 C/P	RRI	0.5	10.5	20.5	1	25	1/2"	13	31
TCR-1000/2 C/P	RRI	1	5.3	10.3	2	25	1/2"	13	34
TCR-1000 C/P	RRI	1	6.0	11.3	1	25	1/2"	13	35
TCR-2000/2 C/P	RRI	2	3.0	5.7	2	25	1/2"	13	40
TCR-3000 C/P	RRI	3	2.8	5.7	1	33	1/2"	19	69
TCR-6000/2 C/P	RRI	6	1.4	2.9	2	33	1/2"	19	90
RRI-610040 C/P	RRI	10	1.5	2.5	2	90	1"	25	190
TCR-12000 C/P	RRI	12	0.9	1.5	4	33	1/2"	19	170
TCR-15000 C/P	RRI	15	0.7	1.0	5	33	1/2"	19	221
RRI-615060 C/P	RRI	15	1.0	1.4	3	90	1"	25	190
RRI-620080 C/P	RRI	20	0.8	1.2	4	90	1"	25	240
RRI-625040 C/P	RRI	25	0.8	1.3	2	120	1"	25	320
RRI-635060 C/P	RRI	37.5	0.6	1.0	3	120	1"	25	850
RRI-650080 C/P	RRI	50	0.4	0.7	4	120	1"	25	1.100
RRI-675120 C/P	RRI	75	0.25	0.4	6	120	1"	25	1.500

* All Red Rooster hoists are supplied standardly with 2 m cord control and without chain.

Alle hoists are supplied as standard with 2 m. cord control, **with exception of type TMM-140A**: standard with cable, air hose, pilot pendant control and 2 m. height of lift.

C = 2 m cord control
 DP = direct pendant control with emergency stop
 P = pilot pendant control with emergency stop
 PB = 4 or 6 button control with emergency stop (on request)



Type	Load limiter	Air trolley	4-button control with emergency stop (PB-4E)	Chain per m mm	Chain bag/ Chain bucket	SMC Filter	SMC Lubricator
TCR-125 C/DP	-	+	+	4.0 x 12.0 (HD)	+	EAF3000-F03	EAL3000-F03
TMM-140A	-	+	-	-	-	EAF3000-F03	EAL3000-F03
TCR-250M	-	+	-	4.0 x 12.0 (HD)	*	EAF3000-F03	EAL3000-F03
TCR-250 C/DP	-	+	+	4.0 x 12.0 (HD)	+	EAF4000-F04	EAL4000-F04
TCR-600250 C/P	-	+	+	6.3 x 19.1	+	EAF4000-F04	EAL4000-F04
TCR-500/2 C/DP	-	+	+	6.3 x 19.1	+	EAF4000-F04	EAL4000-F04
TCR-500 C/P	*	+	+	6.3 x 19.1	+	EAF4000-F04	EAL4000-F04
TCR-1000/2 C/P	*	+	+	6.3 x 19.1	+	EAF4000-F04	EAL4000-F04
TCR-1000 C/P	*	+	+	7.1 x 21	+	EAF4000-F04	EAL4000-F04
TCR-2000/2 C/P	*	+	+	7.1 x 21	+	EAF4000-F04	EAL4000-F04
TCR-3000 C/P	*	+	+	11.2 x 34	+	EAF4000-F04	EAL4000-F04
TCR-6000/2 C/P	*	+	+	11.2 x 34	+	EAF4000-F04	EAL4000-F04
RRI-610040 C/P	*	+	+	16 x 45	+	EAF5000-F06	EAL5000-F06
TCR-12000 C/P	*	+	+	11.2 x 34	+	EAF4000-F04	EAL4000-F04
TCR-15000 C/P	*	+	+	11.2 x 34	+	EAF4000-F04	EAL4000-F04
RRI-615060 C/P	*	+	+	16 x 45	+	EAF5000-F06	EAL5000-F06
RRI-620080 C/P	*	+	+	16 x 45	+	EAF5000-F06	EAL5000-F06
RRI-625040 C/P	*	+	+	22 x 66	+	EAF6000-F10	EAL6000-F10
RRI-635060 C/P#	*	+	+	22 x 66	+	EAF6000-F10	EAL6000-F10
RRI-650080 C/P#	*	+	+	22 x 66	+	EAF6000-F10	EAL6000-F10
RRI-675120 C/P#	*	+	+	22 x 66	+	EAF6000-F10	EAL6000-F10

* = Supplied as standard / + = on request / # = also available in shackle execution.

! Chain, SMC filter and SMC lubricator are supplied on request.

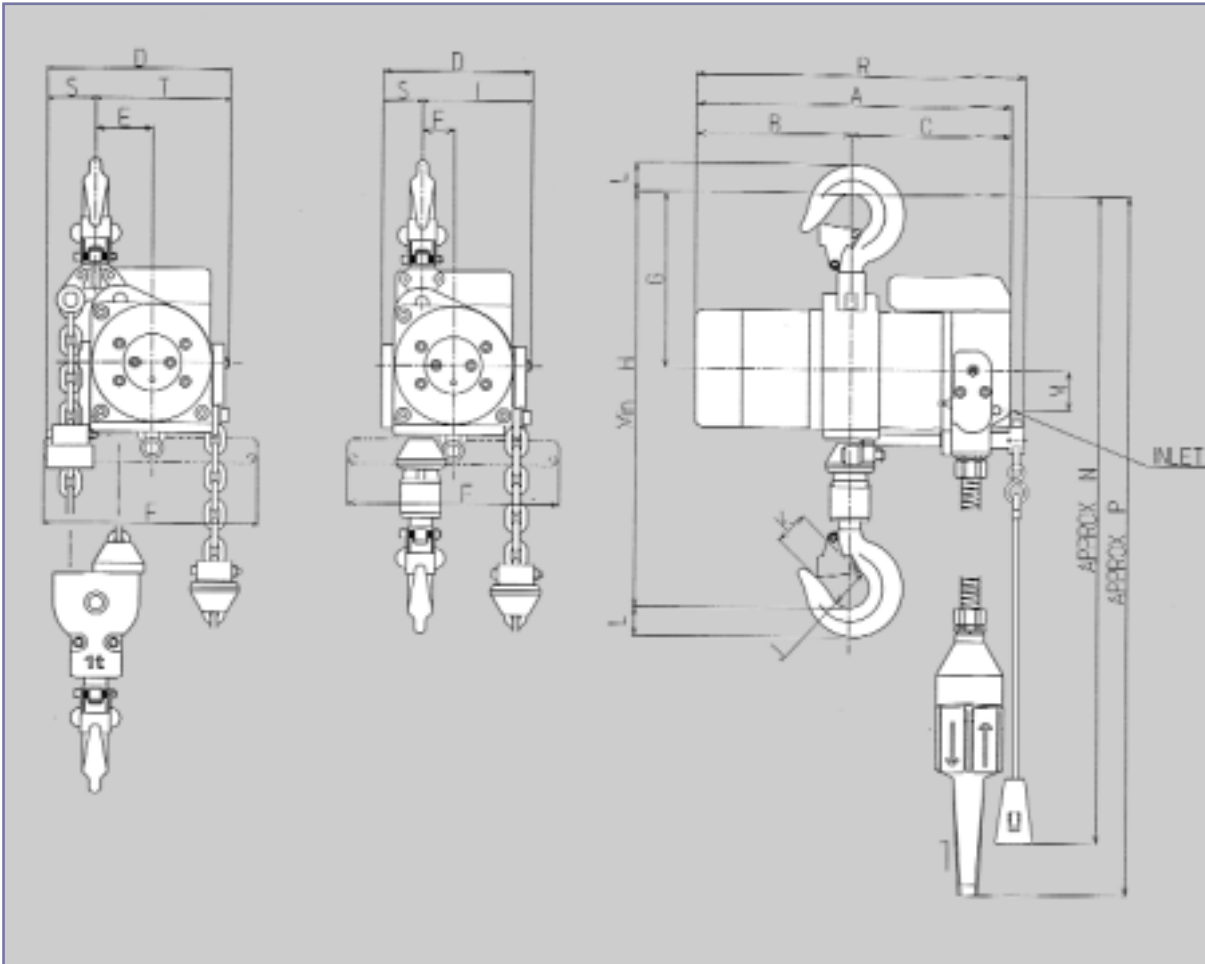
DIN5684-8 is standard for all air chain hoists, with exception of models TCR-125 and TCR-250. For these models Heavy Duty (HD) chain is available.

Features of the shackle execution are: a lower head room, lower weight, easier to load the hoist and easy mounting by double pad eye.

More information about air trolleys, chain, chain bags and buckets and other accessories, see next pages.

Air chain hoists

Dimensions TCR-models



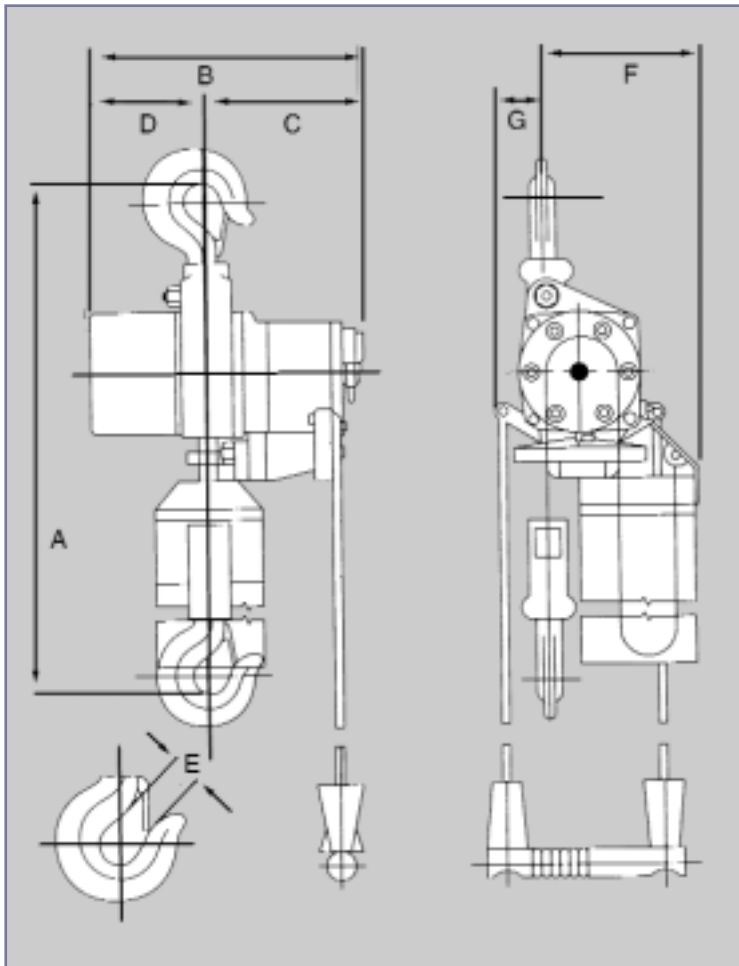
Type	A	B	C	D	E	F	G	H	J	K	L	M	N	P	R	S	T	U
TCR-125	230	110	120	95	20	102	240	305	36	29	15	0	2180	2580	230	35	60	PT 3/8"
TCR-600250	321	156	165	149	32	212	177	412	40	34	29	40	2260	2650	355	40	109	PT 1/2"
TCR-250	230	110	120	95	20	102	240	305	36	29	15	0	2180	2580	230	35	60	PT 3/8"
TCR-500	321	156	165	149	32	212	177	412	40	34	29	40	2260	2650	355	40	109	PT 1/2"
TCR-500/2	230	110	120	95	20	102	240	365	36	29	15	0	2180	2580	230	35	60	PT 3/8"
TCR-1000/2	321	156	165	180	56	212	177	469	40	34	29	40	2260	2650	355	47	133	PT 1/2"
TCR-1000	321	156	165	157	32	212	177	416	40	34	29	40	2260	2650	355	40	117	PT 1/2"
TCR-2000/2	321	156	165	194	59	212	203	503	45	32	37	40	2285	2675	355	50	144	PT 1/2"
TCR-3000	430	202	228	245	43	212	249	563	50	41	45	40	2350	2850	464	47	168	PT 1/2"
TCR-6000	430	202	228	275	87	212	275	673	65	50	49	40	2350	2850	464	63	212	PT 1/2"

* Dimensions of the models which are not stated, are available on request.

We reserve the right to modify, without any notice, any information contained in this catalogue.

Air chain hoists

Dimensions RRI-models



Type	A	B	C	D	E	F	G
RRI-600140	550	200	105	95	23	110	90
RRI-610040	1.270	549	302	247	70	277	165
RRI-615060	1.250	549	302	247	85	290	180
RRI-620080	1.350	549	302	247	100	300	200
RRI-625040	1.400	710	375	335	80	275	165
RRI-635060	1.550	710	375	335	100	400	250
RRI-650080	1.980	710	375	335	100	350	250
RRI-650080**	1.505	710	375	335	-	350	250

* Dimensions of the models which are not stated, are available on request.

** Shackle execution

Our new hoist weighs only 7 kgs. and lifts 250 kgs.

If you are looking for a technically advanced, flexible and compact air hoist to work in a variety applications there is now the new TCR-range light aluminium mini air hoists of industrial quality! In this range you will find the new 250 kgs. air hoist from Toku. By far the most compact hoist ever, and therefore very portable.

The headroom of the hoist is 305 mm. Weighing only 7 kgs. (including 3 metres lift), the hoist will lift 250 kgs. at a speed of 9,3 metres per minute. Available with a cord control or a pendant control with emergency stop.



Chain bags- and buckets

For Holst	Description	Material	Type	Height of lift max. m
TCR-125	Chain bucket	Plastics	SW-0	12
	Chain bucket	Plastics	SW-00	20
TCR-250	Chain bucket	Plastics	SW-0	12
	Chain bucket	Plastics	SW-00	20
TCR-600250	Chain bag	Plastics	A	7
	Chain bag	Plastics	D	11
	Chain bag	Plastics	E	17
	Chain bag	Plastics	F*	34
	Chain bag	Plastics	G*	46
	Chain bag	Galvanised	GB-600520/2	3
	Chain bag	Galvanised	GB-600520/2	3
	Chain bag	Galvanised	GB-600520/2	3
	Chain bag	Galvanised	GB-600520/2	3
	Chain bag	Galvanised	GB-600520/2	3
	Chain bag	Galvanised	GB-600520/2	3
	Chain bucket	Plastics	SW-1	14
	TCR-500/2	Chain bucket	Plastics	SW-0
Chain bucket		Plastics	SW-00	10
TCR-500	Chain bag	Plastics	A	7
	Chain bag	Plastics	D	11
	Chain bag	Plastics	E	17
	Chain bag	Plastics	F*	34
	Chain bag	Plastics	G*	46
	Chain bucket	Plastics	SW-1	14
TCR-1000/2	Chain bag	Plastics	A	4
	Chain bag	Plastics	D	6
	Chain bag	Plastics	E	8
	Chain bag	Plastics	F*	18
	Chain bag	Plastics	G*	23
	Chain bag	Galvanised	GB-601040/3	3
	Chain bag	Galvanised	GB-601040/6	6
	Chain bag	Galvanised	GB-601040/9	9
	Chain bag	Galvanised	GB-601040/12	12
	Chain bag	Galvanised	GB-601040/15	15
	Chain bag	Galvanised	GB-601040/18	18
	Chain bucket	Plastics	SW-1	7
	TCR-1000	Chain bag	Plastics	AA
Chain bag		Plastics	DD	10
Chain bag		Plastics	EE	15
Chain bag		Plastics	FF*	28
Chain bag		Plastics	GG*	40
Chain bag		Galvanised	GB-601020/3	3
Chain bag		Galvanised	GB-601020/6	6
Chain bag		Galvanised	GB-601020/9	9

For Holst	Description	Material	Type	Height of lift max. m
TCR-1000	Chain bag	Galvanised	GB-601020/12	12
	Chain bag	Galvanised	GB-601020/15	15
	Chain bag	Galvanised	GB-601020/18	18
	Chain bucket	Plastics	SW-2	10
TCR-2000/2	Chain bag	Plastics	AA	3
	Chain bag	Plastics	DD	5
	Chain bag	Plastics	EE	7
	Chain bag	Plastics	FF*	14
	Chain bag	Plastics	GG*	20
	Chain bag	Galvanised	GB-602040/3	3
	Chain bag	Galvanised	GB-602040/6	6
	Chain bag	Galvanised	GB-602040/8	8
	Chain bag	Galvanised	GB-602040/12	12
	Chain bag	Galvanised	GB-602040/15	15
	Chain bag	Galvanised	GB-602040/18	18
	Chain bucket	Plastics	SW-2	5
	TCR-3000	Chain bucket	Plastics	SW-3
Chain bag		Galvanised	GB-603020/3	3
Chain bag		Galvanised	GB-603020/6	6
Chain bag		Galvanised	GB-603020/8	8
Chain bag		Galvanised	GB-603020/12	12
Chain bag		Galvanised	GB-603020/15	15
Chain bag		Galvanised	GB-603020/18	18
TCR-6000/2	Chain bucket	Plastics	SW-3	3
	Chain bag	Galvanised	GB-606040/3	3
	Chain bag	Galvanised	GB-606040/6	6
	Chain bag	Galvanised	GB-606040/8	8
	Chain bag	Galvanised	GB-606040/12	12
	Chain bag	Galvanised	GB-606040/15	15
	Chain bag	Galvanised	GB-606040/18	18



* From these lengths a counter weight is necessary.
Other chain bags are available on request.