

# Hand-Operated Oil-Grease Pump

880-133 (VO-50)



## 880-133 (VO-50) HAND-OPERATED "HIGH VISCOSITY OIL" BUCKET PUMP

YAMADA VO-50 is specially designed to dispense high viscosity oil to button head fittings of construction machines and others. It delivers 24 cc. (SAE 10, 20°C) per stroke, making 10 MPa. pressure.

It includes: - 15 ltr. cap. bucket  
- 1.5 mtr. hose with a button head coupler (D=15mm.)

### PART NO.

850-350

695-055

800-894

### DESCRIPTION

Pump assy

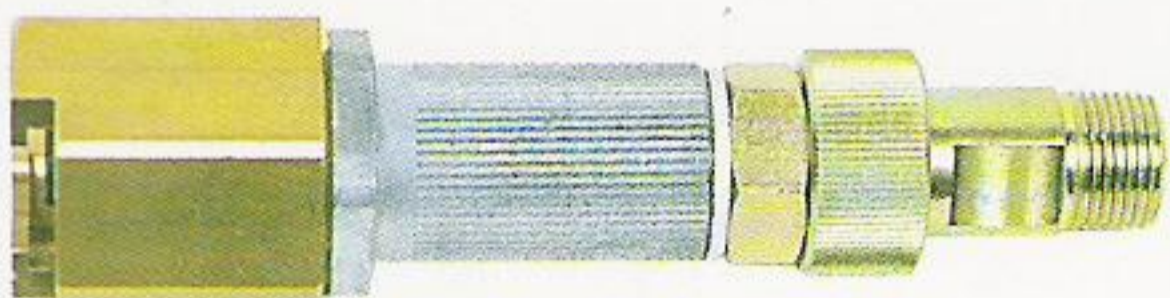
Hose, 1.5 mtr.

Button head coupler, small

## HOOK-ON BUTTON HEAD COUPLERS

### 800-628 GIANT BUTTON HEAD COUPLER

R 3/8" inlet. 32 mm. hex. 133 mm. length.

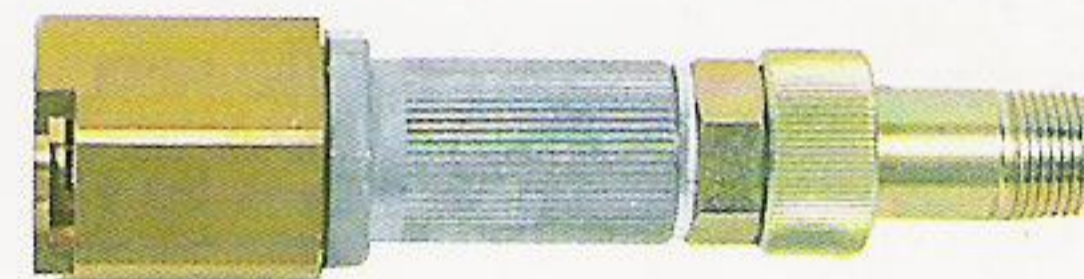


800-628

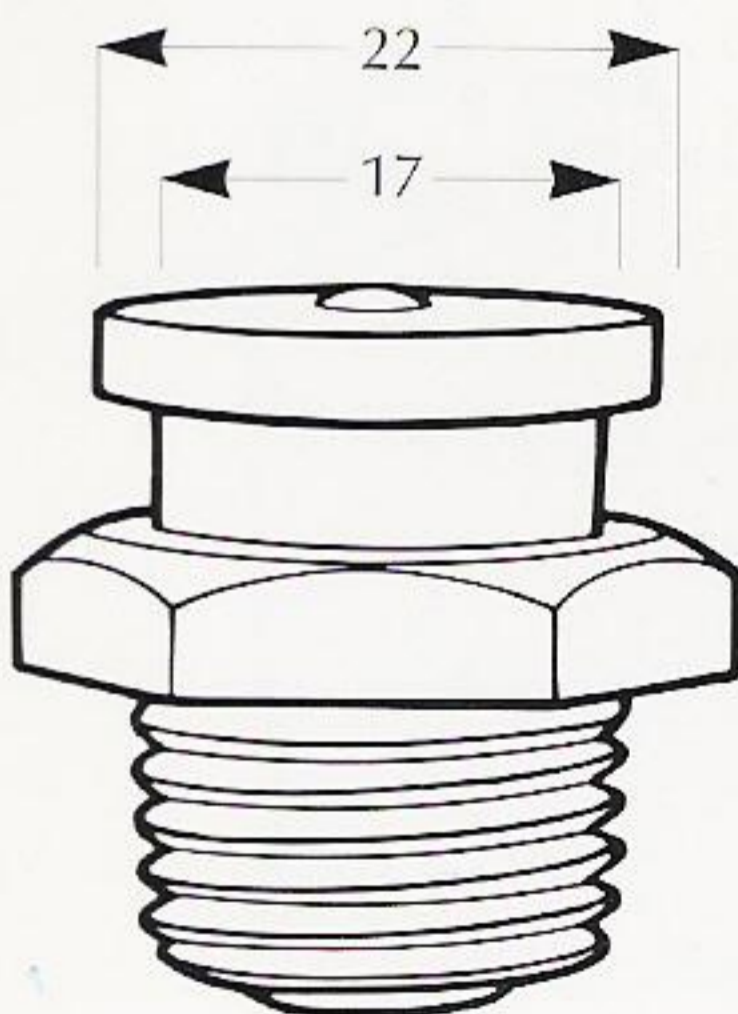
### 800-894 STANDARD BUTTON HEAD COUPLER

Same as 800-628, but for standard fitting.

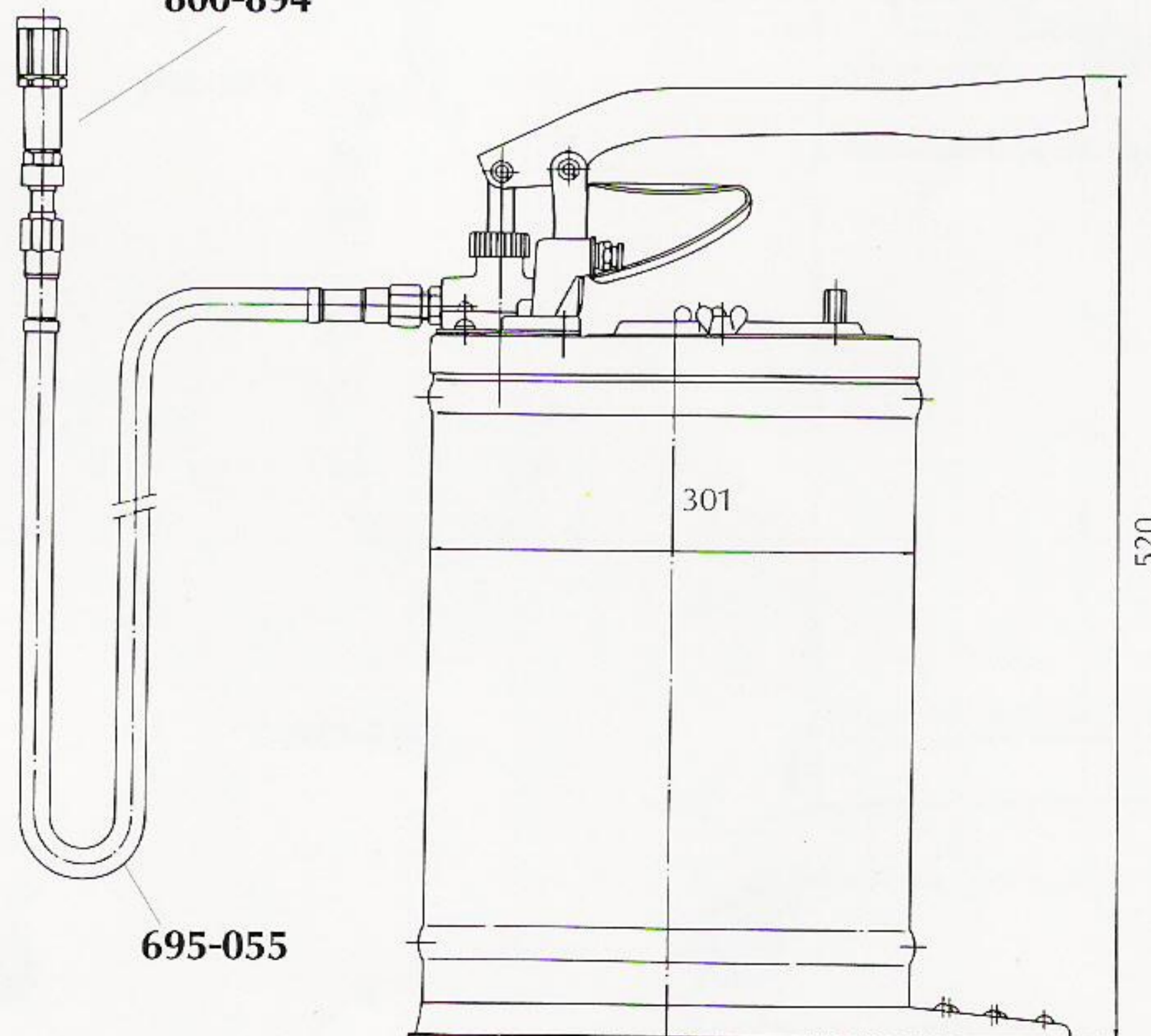
For using with VO bucket pump (880-133).



800-894



800-894



695-055

