



WILDEN®

AIR OPERATED DOUBLE DIAPHRAGM PUMPS

A DUNBAR RESOURCES COMPANY

T20 Metal Pump

FLOW RATE TO 275 GPM (1040.0 LPM)
 MAXIMUM OPERATING PRESSURE = 125 PSI (8.6 BAR)

SPECIFICATIONS

WETTED HOUSINGS (Water Chambers and Manifolds)

MATERIAL SHIP WT.
 Cast Iron 510 lbs. (234.6 kg.)

NON-WETTED HOUSINGS

DESCRIPTION MATERIAL
 Center Block Aluminum

Air Valve Brass or Stainless Steel

MAXIMUM SUCTION LIFT CAPABILITY

DRY LIFT
 12' (3.7 m)
 The above figure represents the rubber-fitted pump capability.

MAXIMUM DIAMETER SOLIDS

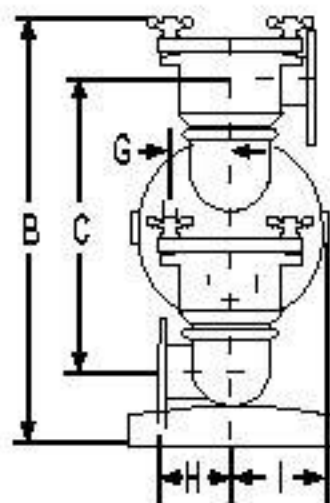
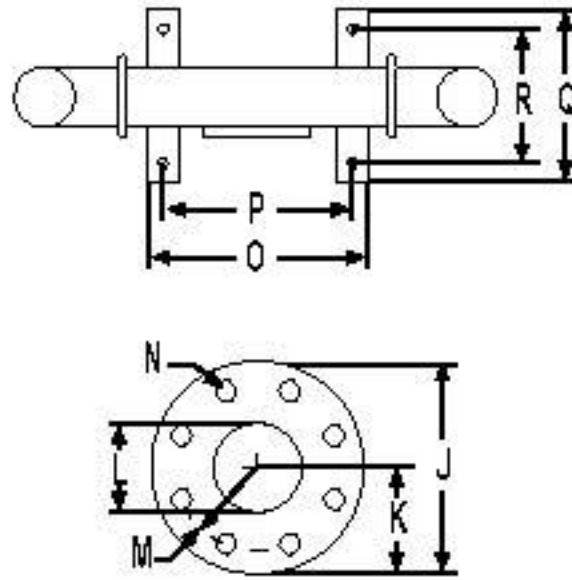
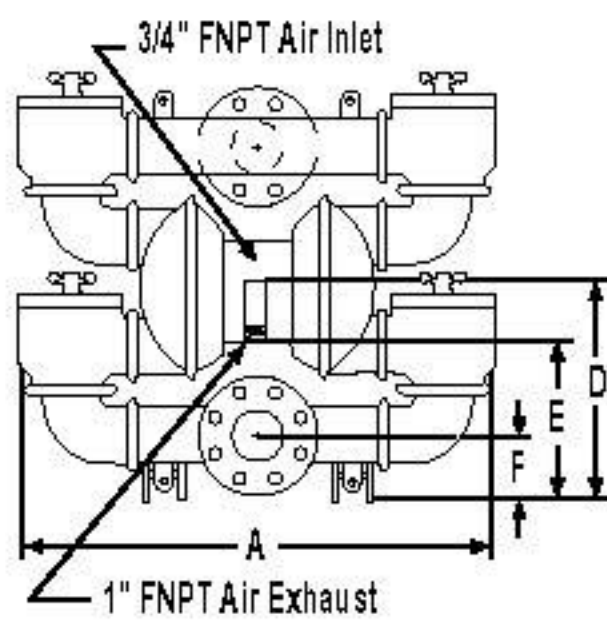
1 3/8" (35 mm) Diameter

ELASTOMER OPTIONS

MATERIAL	TEMPERATURE LIMITS	
Polyurethane	+10 (-12.2)	to +150 (65.6) F° (C°)
Nordel®	-60 (-51.1)	to +280 (137.8) F° (C°)
Viton®	-40 (-40.0)	to +350 (176.7) F° (C°)
Saniflex®	-20 (-28.9)	to +220 (104.4) F° (C°)
Teflon® PTFE	+40 (4.4)	to +220 (104.4) F° (C°)
Wil-Flex®	-40 (-40.0)	to +225 (107.2) F° (C°)



TURBOFLO
 REGENERATIVE PUMP TECHNOLOGY

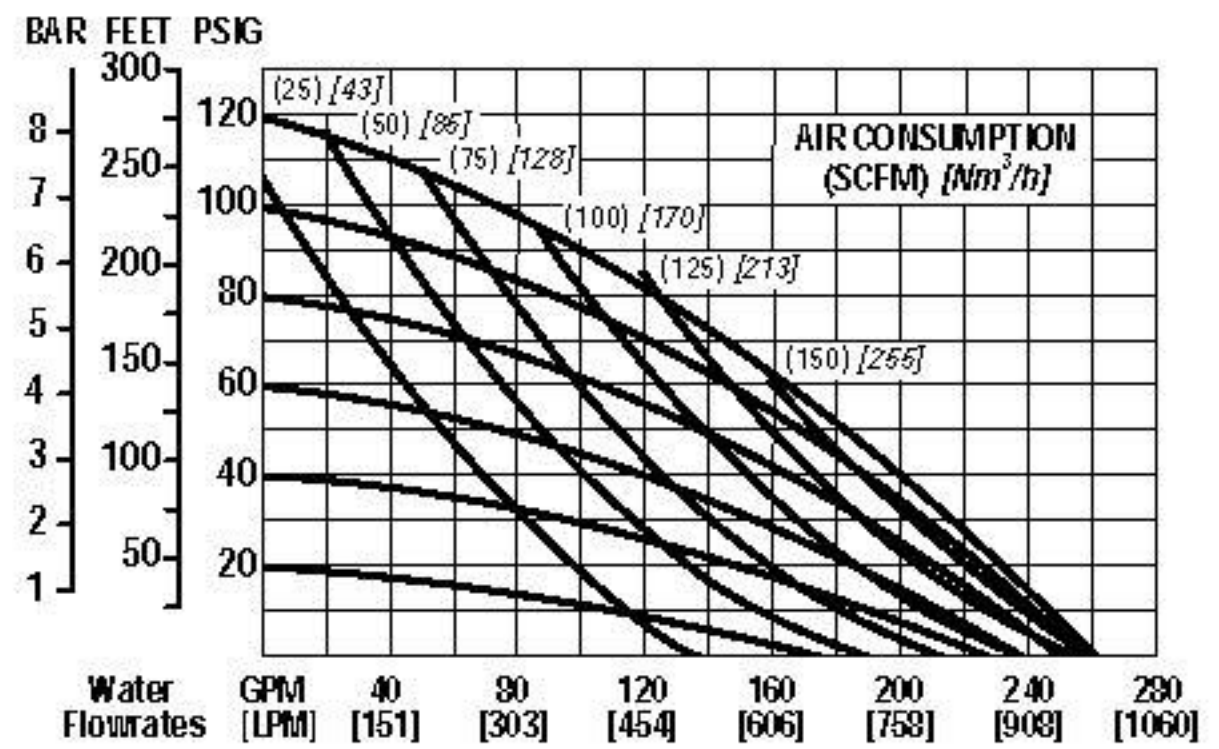


DIMENSIONS - T20 METAL

ITEM	STANDARD (inch)	METRIC (mm)
A	37	939.8
B	32 1/2	824.9
C	26 1/2	672.6
D	17 1/4	438.2
E	13	330.2
F	4 5/8	117.4
G	6 1/8	155.6
H	6 1/4	158.8
I	8 1/4	209.6
J	9	228.6
K	4 1/2	114.3
L	4	101.6
M	3 3/4	95.2
N	3/4	19.0
O	17 7/8	454.0
P	14 3/4	375.0
Q	13	330.2
R	11	279.0

Refer to the EDM manual for TPE and Ultra-Flex® performance curves.

WIL-FLEX™/POLYURETHANE-FITTED T20 METAL PUMP



VITON®/TEFLON®-FITTED T20 METAL PUMP

