



WILDEN®

AIR OPERATED DOUBLE DIAPHRAGM PUMPS

A DUNBAR RESOURCES COMPANY

T15 Metal Pump

FLOW RATE TO 232 GPM (878.1 LPM)
 MAXIMUM OPERATING PRESSURE = 125 PSI (8.6 BAR)

SPECIFICATIONS

WETTED HOUSINGS (Water Chambers and Manifolds)

MATERIAL	SHIP WT.	MATERIAL	SHIP WT.
Aluminum	116 lbs. (53.4 kg.)	Cast Iron	200 lbs. (92 kg.)
316 S.S.	175 lbs. (80.5 kg.)	Hastelloy	218 lbs. (110.3 kg.)

NON-WETTED HOUSINGS

DESCRIPTION	MATERIAL
Center Block	Polypropylene, Aluminum, Nickel-plated Aluminum, or Stainless Steel

Air Valve: Brass, Nickel-plated Brass, or Stainless Steel

MAXIMUM SUCTION LIFT CAPABILITY

DRY LIFT
 19' (5.8 m)
 The above figure represents the Ultra-Flex® pump capability.

MAXIMUM DIAMETER SOLIDS

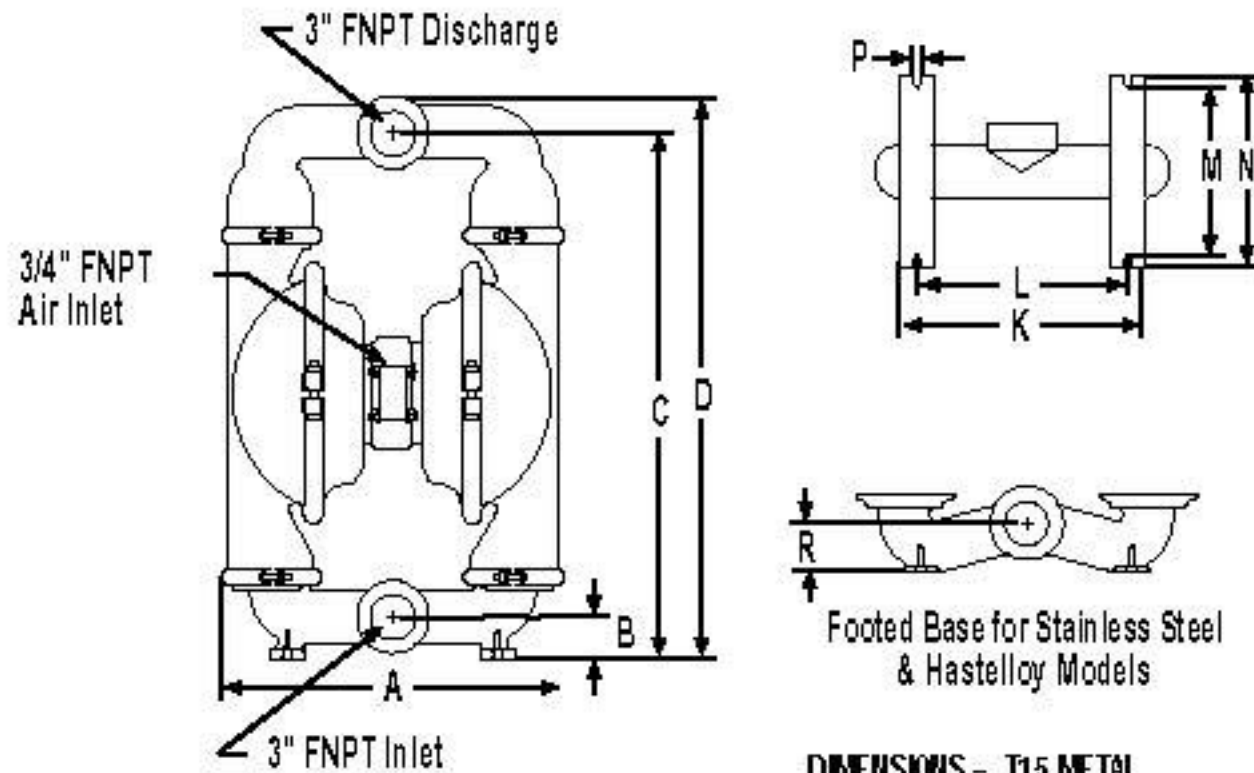
3/8" (9.5 mm) Diameter

ELASTOMER OPTIONS

MATERIAL	TEMPERATURE LIMITS
Polyurethane	+10 (-12.2) to +150 (65.6) F° (C°)
Neoprene	0 (-17.8) to +200 (93.3) F° (C°)
Buna-N®	+10 (-12.2) to +180 (82.2) F° (C°)
Nordel®	-60 (-51.1) to +280 (137.8) F° (C°)
Viton®	-40 (-40.0) to +350 (176.7) F° (C°)
Saniflex®	-20 (-28.9) to +220 (104.4) F° (C°)
Teflon® PTFE	+40 (4.4) to +220 (104.4) F° (C°)
Wil-Flex®	-40 (-40.0) to +225 (107.2) F° (C°)



TURBOFLO
 PRESERVATIVE PUMP TECHNOLOGY



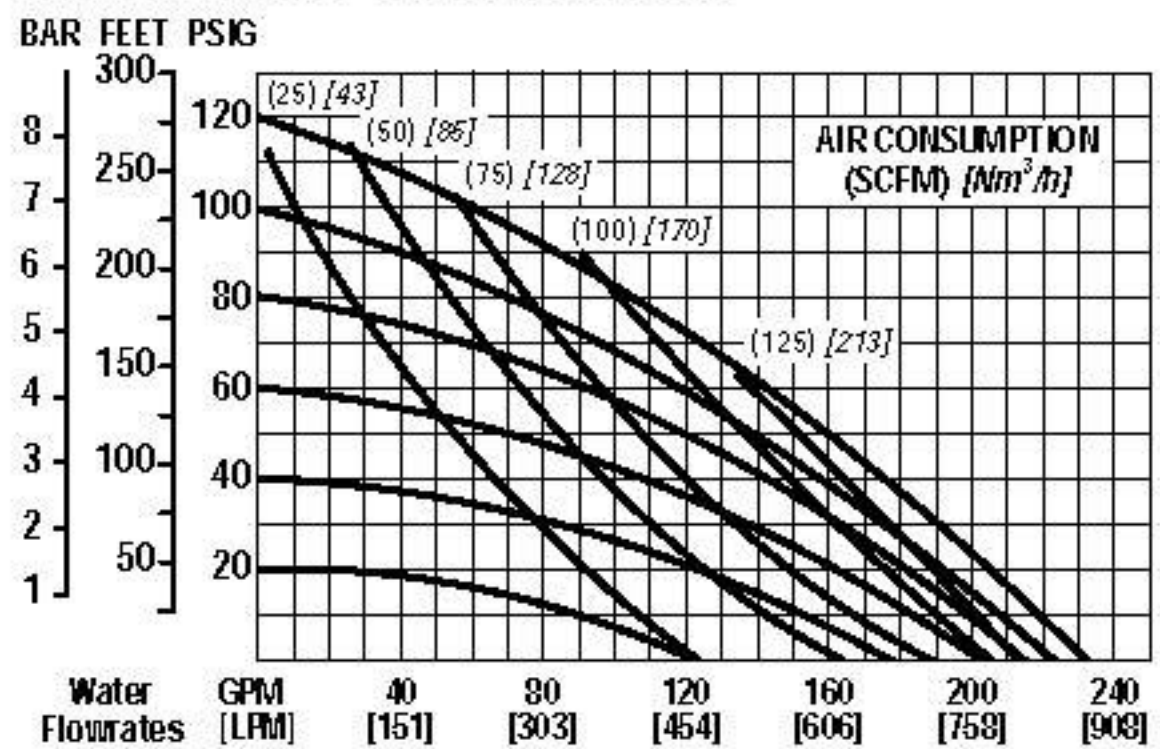
DIMENSIONS - T15 METAL

ITEM	STANDARD (inch)	METRIC (mm)
A	19 29/32	505.2
B	2 11/32	59.5
C	29 31/32	760.6
D	32 3/8	821.7
E	16 1/2	419.1
F	2 13/16	71.4
G	3 1/4	82.6
H	12 5/16	312.5
J	16 3/4	425.5
K	14 3/16	360.4
L	12	304.8
M	10 5/32	257.8
N	11 3/32	281.8
P	5/8	15.9
R	2 3/4 (N/A)	69.9
S	2 19/32	65.8

BSP threads available for liquid inlet and discharge.

Refer to the EOM manual for TPE and Ultra-Flex® performance curves.

RUBBER-FITTED T15 METAL PUMP



TEFLON® -FITTED T15 METAL PUMP

