



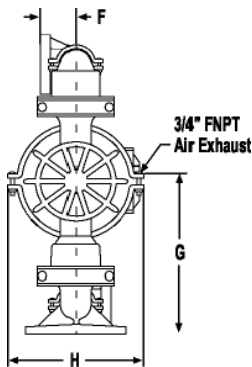
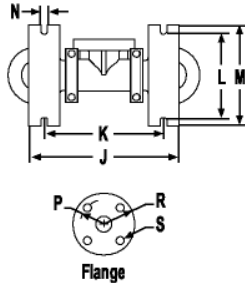
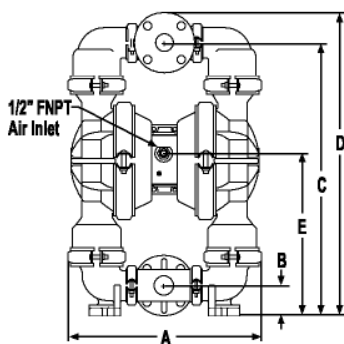
WILDEN®

AIR OPERATED DOUBLE DIAPHRAGM PUMPS

A DOVER RESOURCES COMPANY



PROFLO™
PROGRESSIVE PUMP TECHNOLOGY



DIMENSIONS - P8 PLASTIC

ITEM	STANDARD (inch)	METRIC (mm)
A	19 11/32	491.4
B	3 1/32	77.0
C	27 9/32	693.0
D	30 5/16	770.0
E	16 1/8	409.6
F	3 1/2	88.9
G	16 7/16	366.7
H	13 3/32	332.6
J	15 7/32	386.6
K	12 1/16	306.4
L	9	228.6
M	10	254.0
N	9/16	14.3
P	STANDARD 2 3/8 RAD.	INT'L. 60.3 RAD.
R	3 1/32 RAD.	76.2 RAD.
S	25/32 DIA.	19.8 DIA.

T-section is designed to accommodate both DIN and ANSI pipe connections. Refer to the EOM manual for TPE and Ultra-Flex™ performance curves.

P8 Plastic Pump

FLOW RATE TO 155 GPM (586.7 LPM)
MAXIMUM OPERATING PRESSURE = 125 PSI (8.6 BAR)

SPECIFICATIONS

WETTED HOUSINGS (Water Chambers and Manifolds)

MATERIAL	SHIP WT.
Polypropylene	75 lbs. (33.8 kg.)
PVDF	95 lbs. (42.9 kg.)

NON-WETTED HOUSINGS

DESCRIPTION	MATERIAL
Center Block	Polypropylene
Air Chambers	Aluminum, Teflon®-coated Aluminum
Air Valve	Polypropylene

MAXIMUM SUCTION LIFT CAPABILITY

DRY LIFT
23' (7.0 m)
The above figure represents the rubber-fitted pump capability.

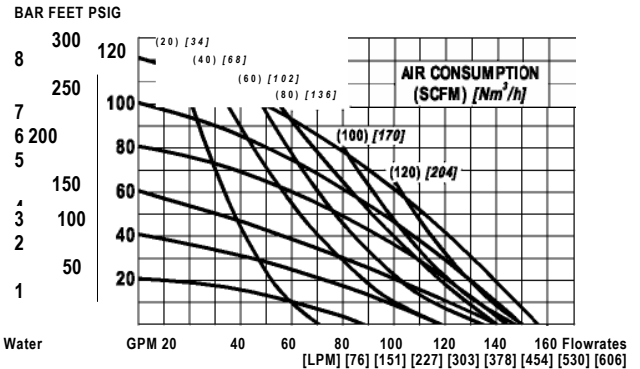
MAXIMUM DIAMETER SOLIDS

1/4" (6.35 mm) Diameter

ELASTOMER OPTIONS

MATERIAL	TEMPERATURE LIMITS
Polyurethane	+10 (-12.2) to +150 (65.6) F° (C°)
Neoprene	0 (-17.8) to +200 (93.3) F° (C°)
Buna-N®	+10 (-12.2) to +180 (82.2) F° (C°)
Nordei®	-60 (-51.1) to +280 (137.8) F° (C°)
Viton®	-40 (-40.0) to +350 (176.7) F° (C°)
Saniflex™	-20 (-28.9) to +220 (104.4) F° (C°)
Teflon® PTFE	+40 (4.4) to +220 (104.4) F° (C°)
Wil-Flex™	-40 (-40.0) to +225 (107.2) F° (C°)

RUBBER-FITTED P8 PLASTIC PUMP



TEFLON®-FITTED P8 PLASTIC PUMP

