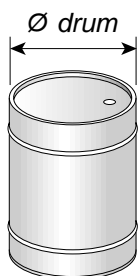


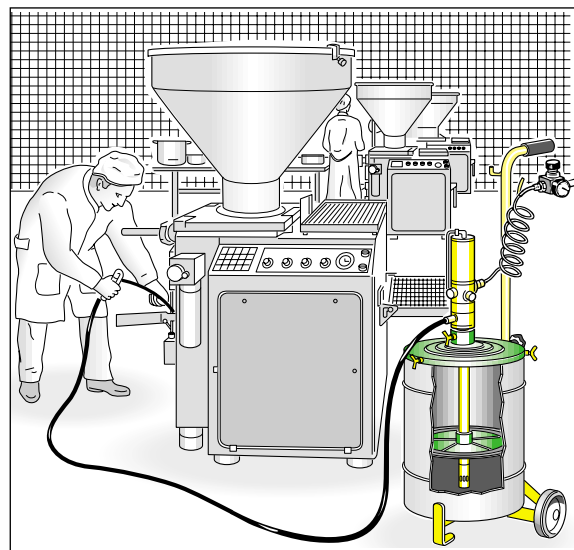
for drums **20/30 kg**



Art. 64033 for drums 20/30 kg with \varnothing from 260 to 310 mm

Art. 64035 for drums 20/30 kg with \varnothing from 300 to 350 mm

Sturdy construction for the practical air-operated mobile dispensers, excellent for a wide variety of greasing needs. Unit construction offers reduced volume for easy carrying and storing.



Art. 64035 **Grease pump for drums with outside \varnothing from 300 to 350 mm**

composed of:

- art. 62048 pump Ratio 50:1
- art. 80035 trolley - art. 66892 nipples
- art. 91404 delivery hose 1/4" 4 m
- art. 66888 gun with straight swivel
- art. 65350 drum cover \varnothing 350 mm
- art. 66340 **follower plate \varnothing 340 mm**

N° 3 packing m^3 0,040 kg 17,5

Art. 64034 **Grease pump for drums with outside \varnothing from 300 to 350 mm**
same as 64035 but
without follower plate

N° 3 packing m^3 0,040 kg 15,9

Art. 64033 **Grease pump for drums with outside \varnothing from 260 to 310 mm**

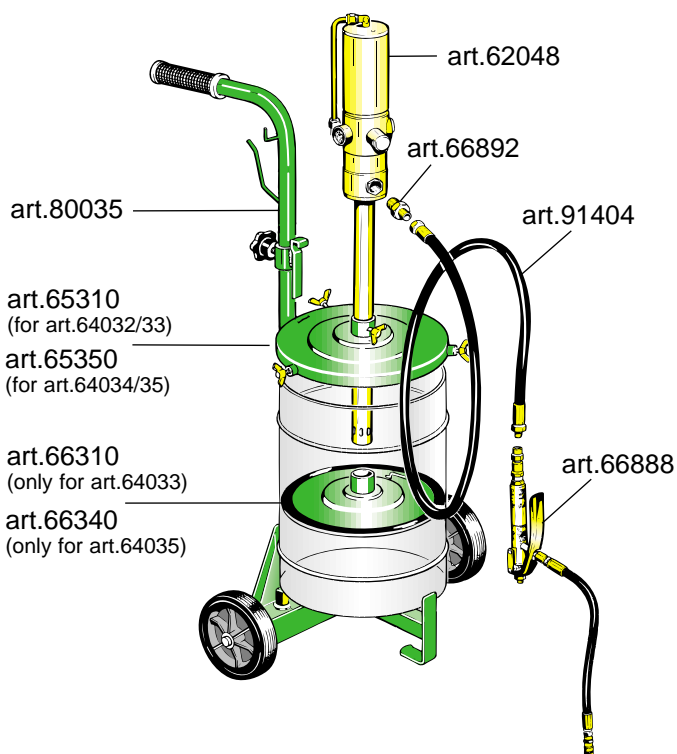
composed of:

- art. 62048 pump Ratio 50:1
- art. 80035 trolley - art. 66892 nipples
- art. 91404 delivery hose 1/4" 4 m
- art. 66888 gun with straight swivel
- art. 65310 drum cover \varnothing 310 mm
- art. 66310 **follower plate \varnothing 310 mm**

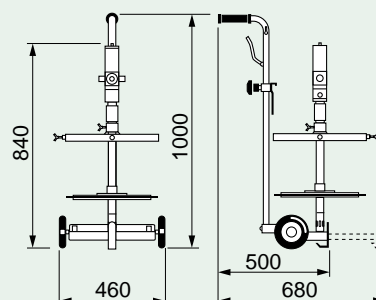
N° 3 packing m^3 0,040 kg 17

Art. 64032 **Grease pump for drums with outside \varnothing from 260 to 310 mm**
same as 64033 but
without follower plate

N° 3 packing m^3 0,040 kg 15



Overall dimensions



art. 64032 - 64033 - 64034 - 64035